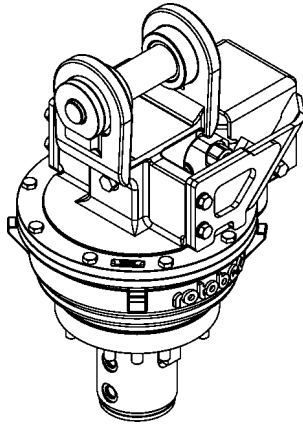




ROTOBEC™

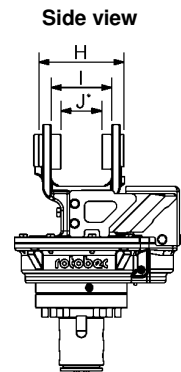
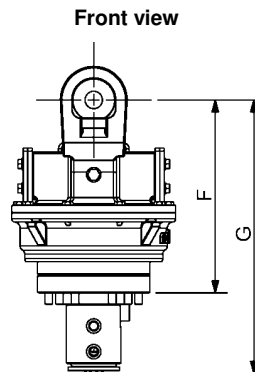
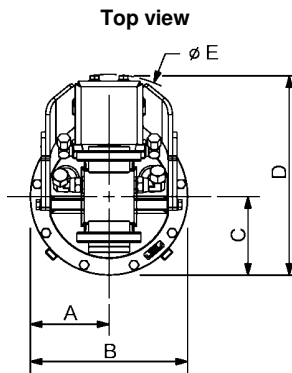
Rotator

RT-322-1



Rotator type	Continuous, sealed
Maximum lift capacity	32000 lb (14515 kg)
Torque at relief pressure	16150 in.lb (1825 Nm) @ 1450 psi (100 bars)
Speed at recommended flow	30 rpm
Recommended flow	9 gpm (34 l/min.)
Maximum pressure to motor	5000 psi (345 bars)
Maximum pressure to cylinders	5000 psi (345 bars)
Rotator motor ports	2 x 10 JIC
Collector upper ports	2 x 10 JIC
Collector lower ports	4 x 08 ORB
Weight	310 lb (141 kg)

Reference	Dimension
A	6 3/4 in. (171 mm)
B	13 1/2 in. (343 mm)
C	6 3/4 in. (171 mm)
D	17 1/8 in. (435 mm)
E	21 in. (533 mm)
F	15 7/8 in. (403 mm)
G	22 3/8 in. (568 mm)
H	8 5/8 in. (219 mm)
I	6 1/8 in. (156 mm)
J	*
K	
L	



* Dimensions may vary.

web site: www.rotobec.com

e-mail: rotobec@rotobec.com

Rotobec Inc.: Head office serving OEM's and Eastern Canada
Rotobec West: Branch serving Western Canada and Western USA
Rotobec USA: Branch serving Eastern and Central USA

Ph: (418) 383-3002 Fax: (418) 383-5334
Ph: (250) 765-1161 Fax: (250) 765-0035
Ph: (603) 444-2103 Fax: (603) 444-0327