

***AN AGILE
SIX-WHEELER***

BEAVER

PONSSE





PONSSE BEAVER

AN AGILE SIX-WHEELER

PONSSE BEAVER feels at home in dense thinning sites, and is also a reliable harvester at all sites where a durable machine is needed. The agility of a six-wheeler, combined with a solid structure, makes PONSSE Beaver unstoppable, even in difficult thinning sites.

PONSSE BEAVER

makes working easy. It does not require any large transportation vehicle, and its operating costs are low. Its excellent visibility and high-reach crane make working easy, especially in thinning sites.

CABIN AND CONTROL SYSTEM

The most spacious and comfortable cabin and the most ergonomic controls in the market guarantee the best working comfort. The PONSSE Opti information system is an advanced and easy-to-use interface for machine and work management.

ENGINE AND HYDRAULICS

The large 190 m³ work pump offers the best hydraulic capacity in the size class and the mighty Mercedes-Benz/MTU engine ensures that power never runs out, while fuel economy remains high.

FRAME STRUCTURES

The design of the Beaver frame focuses particularly on durability and ease of maintenance. Beaver's chassis structure is based on a short wheelbase and a free-floating portal axle. Combined, these result in an agile all-terrain solution for demanding thinning conditions.

SIX WHEELS

With its six wheels, PONSSE Beaver is an agile harvester, and its stability is provided by its sturdy frame joint and swing axle, which can be locked during work using hydraulic cylinders.

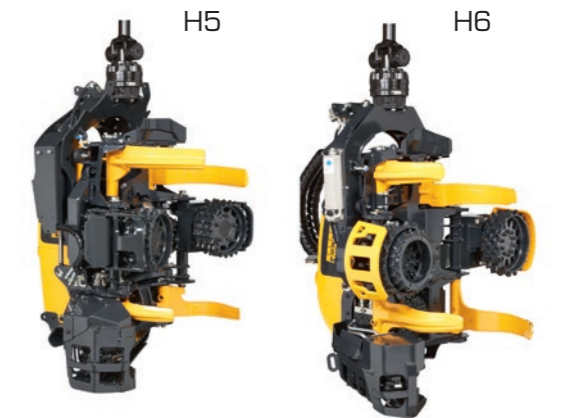


CRANE

The PONSSE C44+ parallel crane, with parallel action, uses hydraulics instead of mechanical leverage. This is why the crane is fuel-efficient, powerful and requires less maintenance. Ponsse designs and manufactures all of its crane models for high-quality and well-functioning crane-base machine combinations.

HARVESTER HEADS

PONSSE harvester heads are known for their high efficiency/weight ratios and durable structure, which are second to none. A broad harvester head range is available for Beaver: choose the small and feisty H5 for thinning-based harvesting or the light and efficient H6 as an all-round grapple for larger logging sites.



CABIN

WORKPLACE WITH A VIEW

The Beaver has no obstacles to productivity in sight.

The PONSSE Beaver cabin is your vantage point to the latest in forest machine technology. It is a work environment for professionals who value comfort, safety and ergonomics.

The control devices are the best you will find in forest machines in terms of their ergonomics. The large cabin, expansive windows and thin window pillars ensure excellent visibility in all directions.

On request, the cabin can also be equipped with the best forest machine seat in the world, PONSSE Seat.



PONSSE SEAT

UNBEATABLE COMFORT

THE ONLY SEAT ON THE MARKET SPECIALLY DESIGNED FOR FOREST MACHINE DRIVERS.

COMFORT ABOVE ALL ELSE.

The breathable fabric and ergonomic seat supports, guarantee improved working comfort.

DURABLE AND EASILY MAINTAINABLE FABRIC.

The new seat fabric is five times more durable than before. In addition to this, the dirt repellent surface makes cleaning more effortless than ever before.



DURABLE AND STABLE BASE.

The reinforced base and suspension provide the seat with superior durability and stability. This, combined with the increased driver weight capacity (210 kg), ensures that the new seat dampens swinging motions and vibrations more efficiently than previous models.

EASY ACCESS TO SEAT CONTROLS AND BASE.

All adjustment controls are conveniently located at the front of the seat cushion. The base can also be accessed easily by removing the cushion.



**ACTIVE
CARE**

**LESS SERVICE,
MORE OPERATION**

The technology and hydraulics offer longer service intervals, increasing effective operating hours and reducing operating costs. Easy access to important components speeds up maintenance. In all PONSSE models special attention has been put into the positioning of components and service points, as well as the ease of maintenance, as requested by our customers.

ENSURE MAXIMUM PRODUCTIVITY

PONSSE Active Care service agreements offer the best possible service for forest machine entrepreneurs. You can focus on your logging, while Ponsse will make sure that the machine will maintain its performance and productivity from one logging site to the next. With the PONSSE Active Care service agreement, you can outsource the scheduled maintenance of your forest machine to Ponsse. Machines are maintained regularly by our professionals using only high-quality and original PONSSE parts, lubricants and filters to keep the machines in good operating condition to retain its value.



MERCEDES-BENZ ENGINES

CLEANER AND MORE EFFICIENT

Explosive power and increased torque. Lower emission level and fuel consumption.

The new Mercedes-Benz/MTU STAGE V emission engines are efficient and economical. The torque has been increased, and maximum torque can be reached at lower engine speeds.

The Mercedes-Benz/MTU STAGE V emission engines are modern, low-emission engines with significantly lower particulate matter (PM) and nitrogen oxide (NOx) emissions compared to engines of the previous emission levels (STAGE III and IV).

In addition to particulate matter, the STAGE V engines also now control particulate volume with a particulate filter (DPF).

Outside Europe a Tier 4F or Stage III level Mercedes-Benz engines are used depending on market specific emission requirements.



Our goal is to manufacture the most productive and economical forest machines on the market. We call this the PONSSE Boost/Save operating model.

At Ponsse, we have always put the customers first.

For decades now, we have been developing the world's best cut-to-length forest machines as well as related services and information systems. The users of the machines are the best specialists in their field, and we closely listen to their feedback. Together, we have managed to continue increasing the productivity and efficiency of harvesting and reduce the costs. This has been the result of long-term collaboration. However, we want to serve our customers even better.

Boost./Save means even more efficient products and better services for our customers. It means efficient and productive machines, agile product development, thorough training, comprehensive maintenance, original spare parts and the most modern information systems in the field.

Boost./Save means efficient and productive harvesting!

PONSSE BOOST/SAVE ***POWER AND SAVINGS***



PONSSE MANAGER ***REAL-TIME MANAGEMENT***

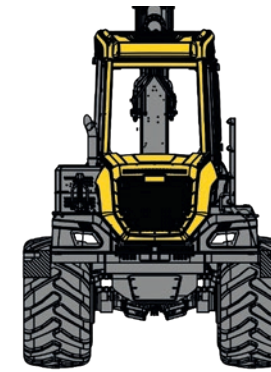
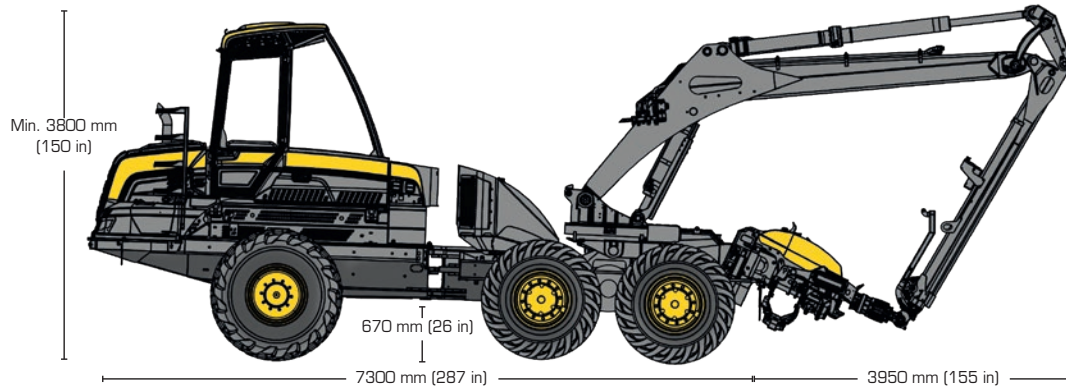
PONSSE Manager connects forest machines to an information network.

PONSSE Manager, the modern digitalization platform for forest machines, enables comprehensive services now and in the future. The easy-to-use tool offers assistance in harvesting equipment maintenance and work planning, along with providing access to functional and extensive reporting.

PONSSE Manager provides real-time information on equipment performance and work site status. The solution can be easily used via a smartphone, tablet or computer.



PONSSE BEAVER



← 2 750 - 3 085 mm (108-121 in) →

DIMENSIONS

Length:	7 300 mm (287 in)
Width:	2 750-3 085 mm (108-121 in)
Transportation height:	3 800 mm (150 in)
Minimum weight:	16 500 kg (36,376 lbs)
Typical weight:	17 500 kg (38,581 lbs)
Ground clearance:	670 mm (26 in)

ENGINE

Model:	Mercedes-Benz/MTU OM 934 LA Stage V/Tier 4 Final or Mercedes-Benz/MTU OM 924 LA EU Stage IIIA
Power:	Stage V and Tier 4F: 150 kW (204 hp) Stage IIIA: 145 kW (197 hp)
Torque:	1 200–1 600 rpm, (Stage V: 850 Nm, Tier 4F: 800 Nm, Stage IIIA: 705 Nm)
Tractive force:	130 kN (29,225 lbf)
Fuel tank volume:	300 l (79.2 gal US)

TIRES

Front:	650/65-26,5" or 750/55-26,5"
Rear:	600/55-26,5", 710/45-26,5" or 800-40-26,5"

HYDRAULIC SYSTEM

Control system:	PONSSE OptiControl
Working pump:	190 cm ³ (11.6 cu in)
Oil tank volume:	200 l (53 gal US)

CRANE

Model:	PONSSE C44+
Slewing torque (gross):	40 kNm
Crane tilt angle:	-12°/+18°
Turning angle:	250°
Lifting moment (gross):	230 kNm
Reach:	10–11 m (33-36 ft)

* 11 m only with harvester head H5

HARVESTER HEAD

Model:	PONSSE H5
	PONSSE H6

In addition to the comprehensive standard equipment, plenty of optional equipment is available for the PONSSE Beaver. Consult your nearest PONSSE retailer for more information on our standard and optional equipment.



Ponsse Oyj
Ponssentie 22
FI-74200 Vieremä
FINLAND
Tel. +358 20 768 800
www.ponsse.com

Ponsse UK Ltd.
4 Annan Business Park
Annan
Dumfriesshire
DG12 6TZ
UNITED KINGDOM
Tel. + 44 1461 207 510

Ponsse Machines Ireland Ltd
Cappakeel, Emo
Portlaoise
R32NN28
Laois
IRELAND
Tel. +353 57 863 3762

Ponsse North America, Inc.
4400 International Lane
Rhineland, WI 54501
USA
Tel. +1 715 369 4833
Fax +1 715 369 4838



A logger's best friend

www.ponsse.com