

LOGSET 8F GT

STRONG-FRAMED FORWARDER DESIGNED FOR CLEARFELLINGS

The Logset 8F GT is a cost efficient machine for forwarding. It has a loading capacity of 15 tons and its load bay length allows a double stack of 3 meter logs. The capacity is impressive even in the worst conditions. Tough challenges such as soft ground, steep terrain or long haul are tackled **with a powerful engine and a strong transmission.**

RELIABILITY

Logset 8F is, like the other Logset products, designed for hard work. The essential elements of the mechanical parts have been made stronger to achieve longer lifespan. The frames, the center joint, bogie attachments, the load bay and a solid hood are all developed for rough forest conditions. The main components have been selected to assure best reliability. **Less downtime, more money!**

ECONOMY

The successful combination of the Logset TOC 2 control system and the AGCO Power diesel engine makes Logset one of **the most fuel-efficient forwarders.** High-resistance parts, excellent reliability and minimized downtime contribute to low running costs.

PRODUCTIVITY

The Mesera crane has an impressive 130 kNm lifting force, which makes it suitable for handling heavy logs and even full length trees. The diesel engine with 258 horse powers, in combination with the hydrostatic transmission, provides sufficient power in all situations. You can work with high productivity even in difficult conditions.

COMFORT

Operator comfort is crucial to maximum productivity. The spacious cabin offers great visibility and a low noise level. A lot of thought has been given to the location of the components, so that they are easily accessible, making service easy.

LOGSET GT Forwarder



8F GT

Forwarder range 04/20 - EN
We reserve the right to make changes without prior notice.
All technical specifications are for guidance only.
The pictures and diagrams do not always show standard versions of the machines.
Copyright Logset Oy.



LOGSET

LOGSET Oy
Hännisentie 2
FI-66530 Koivulahti
FINLAND
Tel. +358 10 286 3200

LOGSET
SIMPLY BETTER
www.logset.com

SIMPLY BETTER

LOGSET

Eight advantages with the Logset forwarder

ENGINE

The diesel engine in the Logset forwarder range has the best combination of good fuel economy and outstanding power, but it is also environmentally friendly.

CABIN

The cabin offers first-class comfort and an unobstructed view both when driving and loading. It is spacious and has big storage compartments. The forwarder is easy to maneuver because the wheels are in sight.

CRANE

A great advantage of the Mesera crane is its boom geometry. The crane is especially designed for forwarders, and both loading and unloading is comfortable and easy. The model 92 are available in different versions, with reach up to 10 meters.

TOTAL OPERATION AND CONTROL SYSTEM 2 (TOC 2)

The forwarder is equipped with the user-friendly Logset TOC 2 machine control system. Thanks to the control system, the driving experience is soft and smooth, which also saves fuel. The crane control is fast and accurate. If the machine has several operators, they can save their personalized settings for the crane.



FUEL AND HYDRAULIC TANKS

Thanks to the 188 liters fuel tank capacity, the operator can extend the work shift without refueling. The correct dimensioning of the oil tank in each machine model ensures a longer lifespan of the hydraulic components.

TRANSMISSION

The machine is available with or without balancing on the NAF bogies, according to the needs.

TRACTIVE EFFORT

The hydrostatic transmission gives the best performance even in the most difficult terrains. It is powerful, accurate and reliable.

LOAD BAY

The strong, adjustable and durable load bay carries more wood than ever before. The Logset 8F can easily be loaded with two stacks of 3 meter logs.

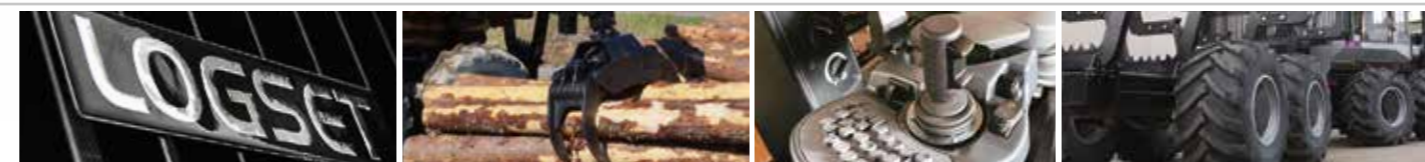
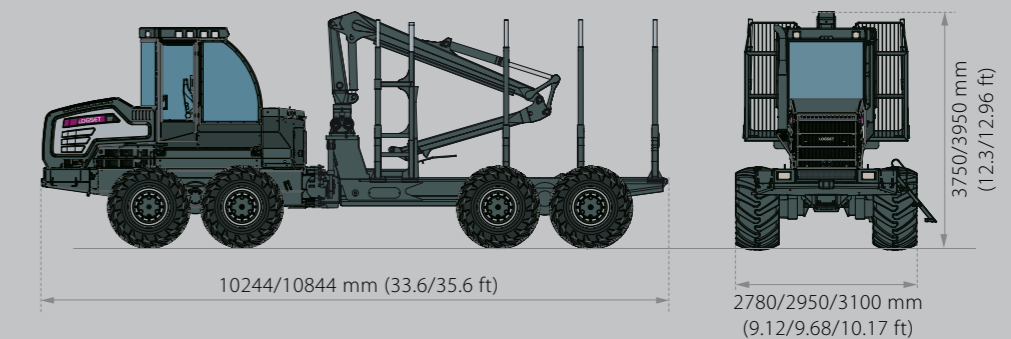
Technical data



MODEL	8F GT
DIMENSIONS	
Own weight from, kg	17 500 (38 600 lbs)
Load capacity, kg	15 000 (33 100 lbs)
Load area length, m	4.64/5.24 (183/206 in)
ENGINE	
Type	AGCO Power 74 LFTN
Stage	EU Stage V / EPA Tier 5
Power at 1850 rpm, kW	190 (258 hp)
Torque at 1500 rpm, Nm	1 130 (833 ft lb)
Fuel tank, l	188 (50 US gal)
DEF tank, l	27 (7 US gal)
TRANSMISSION	
Type	Hydrostatic mechanical
Tractive effort, kN	190 (42 700 lbf)
Gear box	2 gears
HYDRAULIC SYSTEM	
Pump size, cm ³	Standard 140 / Optional 180
Pressure, MPa	24 (3 481 psi)
Oil tank, l	175 (46 US gal)
CABIN	
Control system: TOC 2 • Battery voltage: 24 V • Safety tested and approved cabin	
WHEELS	
Tyres	710/45-26.5
CRANE OPTIONS	
Crane	Mesera 92
Lifting capacity, kNm	130 (95 880 ft-lb)
Reach options, m	8/10 (26/33 ft)
Rotator, °	360
OPTIONAL EQUIPMENT	

Bulldozer blade • Diesel heater • Crane tilt • Contact your local dealer for more information about other options

LOGSET 8F GT



SIMPLY BETTER

LOGSET